

THIS DRAWING IS UNPUBLISHED. RELEASED FOR PUBLICATION AUGUST ,2005.

© COPYRIGHT 2005 BY TYCO ELECTRONICS CORPORATION. ALL RIGHTS RESERVED.

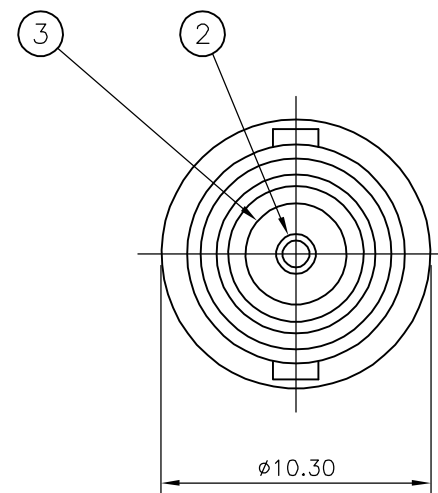
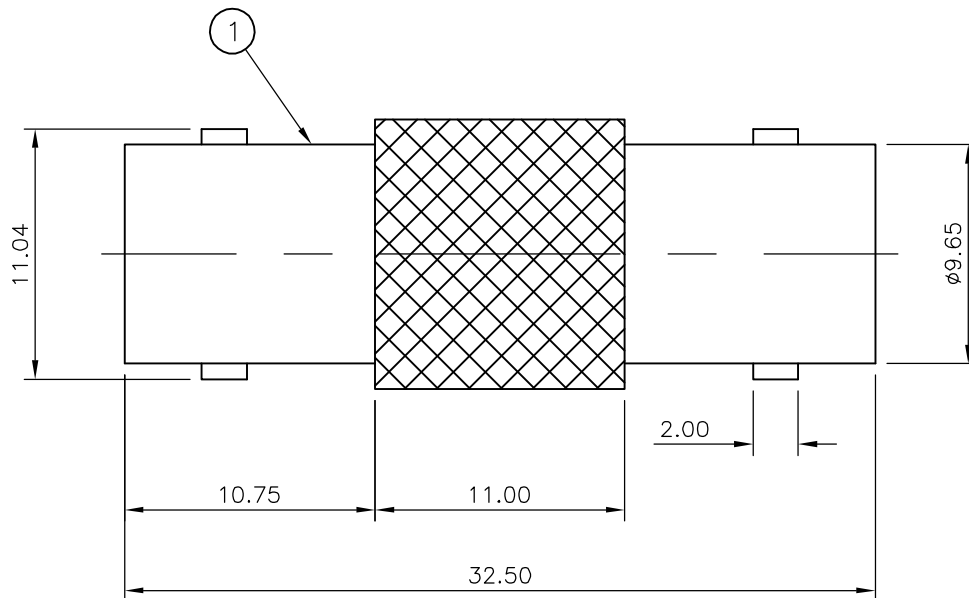
LOC	DIST	REVISIONS			
P	LTR	DESCRIPTION	DATE	DWN	APVD
E	B	A	FIRST ISSUE	18AUG05	JMS FWK

NOTES

- ① 100 TRAY PACK IN ACCORDANCE WITH AMP SPEC 107-3275
- ② SINGLE PACK IN ACCORDANCE WITH AMP SPEC 107-3275
- ③ Au PLATING OVER Ni PLATING OVER Cu PLATING
- ④ Ni PLATING OVER Cu PLATING
- 5. CHARACTERISTICS

FREQUENCY RANGE:	DC-4GHz
NOMINAL IMPEDANCE:	50 OHMS
WORKING VOLTAGE:	500V RMS
INSULATION RESISTANCE:	5000 MOHMS
DIELECTRIC WITHSTAND VOLTAGE:	1500V RMS
CONTACT RESISTANCE:	
CENTRE CONTACT	1.5 mOHMS
OUTER CONTACT	0.2 mOHMS
- 6. MECHANICAL CHARACTERISTICS

DURABILITY:	50 CYCLES
-------------	-----------
- 7. FOR TECHNICAL DATA REFER TO YOUR LOCAL TYCO ELECTRONICS SALES OFFICE
- 8. ALL DIMENSIONS ARE NOMINAL FOR REFERENCE ONLY UNLESS OTHERWISE STATED



QTY	QTY	MATERIAL	DESCRIPTION	ITEM
1	1	POLYMETHYLPENTENE	INSULATOR	3
1	1	PHOS BRONZE	CONTACT	2
1	1	ZINC ALLOY	BODY	1
5--1	5--0			

THIS DRAWING IS A CONTROLLED DOCUMENT.		DWN J.SANDWELL 18AUG05	Tyco Electronics Corporation Bideford, UK, EX39 4HE														
DIMENSIONS: mm		CHK S.PARLOW 18AUG05															
TOLERANCES UNLESS OTHERWISE SPECIFIED:		APVD F.WHEELER-KING 18AUG05	NAME BNC STRAIGHT ADAPTOR JJ 50 OHMS														
<table border="0"> <tr><td>0 PLC</td><td>± -</td></tr> <tr><td>1 PLC</td><td>± -</td></tr> <tr><td>2 PLC</td><td>± -</td></tr> <tr><td>3 PLC</td><td>± -</td></tr> <tr><td>4 PLC</td><td>± -</td></tr> <tr><td>ANGLES</td><td>± -</td></tr> </table>		0 PLC	± -	1 PLC	± -	2 PLC	± -	3 PLC	± -	4 PLC	± -	ANGLES	± -	PRODUCT SPEC 108-3435	SIZE A3		
0 PLC	± -																
1 PLC	± -																
2 PLC	± -																
3 PLC	± -																
4 PLC	± -																
ANGLES	± -																
MATERIAL SEE TABLE		APPLICATION SPEC N/A	CAGE CODE 00779	DRAWING NO C-1634534	RESTRICTED TO -												
FINISH SEE TABLE		WEIGHT -	CUSTOMER DRAWING														
		SCALE NTS	SHEET 1 OF 1	REV A													